

BUTTERFLY VALVE - SUPERVISORY

FAF 3590

3590



Features

- FAF3590 Supervisory Switch Butterfly Valve is installed on up-right axis to the pipeline, quarter turn (90 degree) operating disc, maintains 100% tight sealing in either direction through the EPDM robed into inner walls of the valve body.
- Head loss is at minimum level through the double shaft design.
- One-piece disc/stem design. The disc edge is spherically machined and hand polished to produce a bubble-tight shutoff, minimum torque, and longer seat life.
- The disc/stem design inherently provides complete protection from particle entrapment and bacterial decay, protection that is required for sanitary performance.
- Primary and secondary seals prevent line media from coming in contact with the stem or body. Primary Seal is achieved by an interference fit of the molded seat flat with the disc hub. Secondary Seal is created because the stem diameter is greater than the diameter of the stem hole.
- The valves tongue and groove seat design lowers torque and provides complete isolation of flowing media from the body. The seat also features a molded O-ring which eliminates the use of flange gaskets.
- Non-corrosive, heavy duty acetal bushing absorbs actuator side thrust.
- The position of the valve can be monitored with the use of the on-board tracking and electric circuitry This avoids damage that could be caused by the valve in a closed position during a possible fire.
- The valve can be controlled with lower torques through the gearbox mounted.
- It can be used as a line shutoff valve or as a regional control valve.
- Inner and outer surfaces are coated with minimum 250 microns fusion bonded epoxy.

Temperature

- -20°C - +110°C

PRODUCTION STANDARDS

DN65 → DN250
300PSI 20 Bar

Design	EN 593
Connection	Wafer Type ISO 7005-1 EN 1092-1
Face to Face	EN 558 Series 20 / ISO 5752 Series 20
Marking	EN 19
Tests	EN 12266-1
Corrosion Protection	Electrostatic Powder Epoxy

Product Description

FAF3590 Wafer Type Butterfly Valve Wafer Style Supervisory Switch Butterfly Valves are indicating type valves designed for use in fire protection systems where a visual indication is required as to whether the valve is open or closed. They can be used as system, sectional, and pump water control valves.

Versions

- Standard version with hand wheel
- Prepared for electrical actuator
- With electrical actuator
- With gearbox
- With pneumatic actuator
- Custom production for specific orders

Accessories

- T-key
- Extension spindle, ST steel
- Surface box, cast iron
- Position indicator

Scope of Application

- Chamber installation
- Installation in plants
- Pipelines
- Water treatment plants
- Pumping stations
- Tanks
- Seawater applications
- Power plants (cooling water pipelines)
- Industry



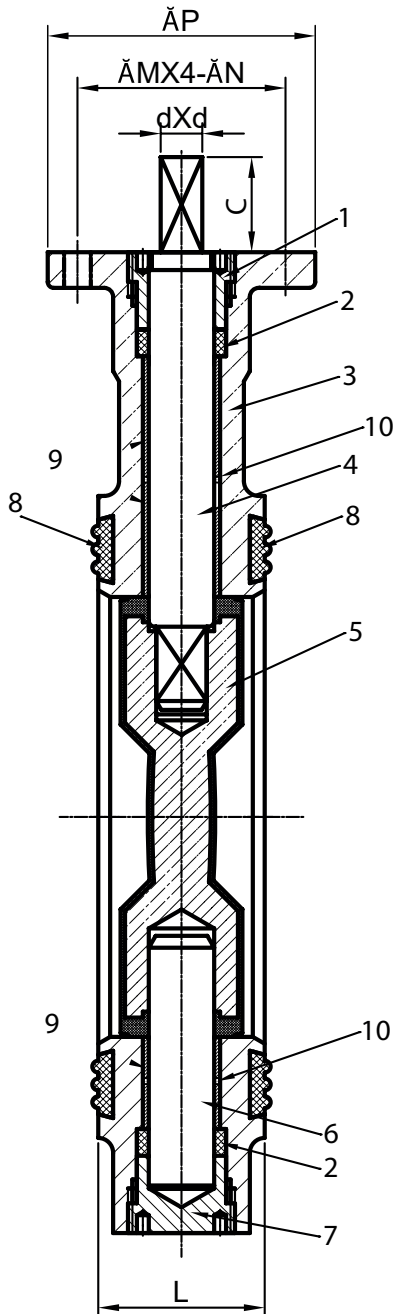
BUTTERFLY VALVE - SUPERVISORY

FAF 3590



3590

Material List



NO	ITEM	MATERIALS
1	Drive Shaft Nut	Steel
2	O-ring	EPDM
3	Body	Ductile Iron
4	Drive Shaft	SS416
5	Disc	Ductile Iron+EPDM
6	Centering Shaft	SS416
7	Centering Shaft Nut	Steel
8	Bearing	PTFE
9	O-ring	EPDM
10	Signal Box	Ductile Iron

PRODUCTS MODEL CODES

FAF 3590	SUPERVISORY SWITCH - WAFER END
FAF 3599	SUPERVISORY SWITCH - GROOVED END

VALVE TEST PRESSURE (Bar)

MAX. OPERATING PRESSURE	BODY / SHELL TEST	SEAT TEST
20	30	22

100% of the valves are subjected to hydrostatic tests at FAF facilities.

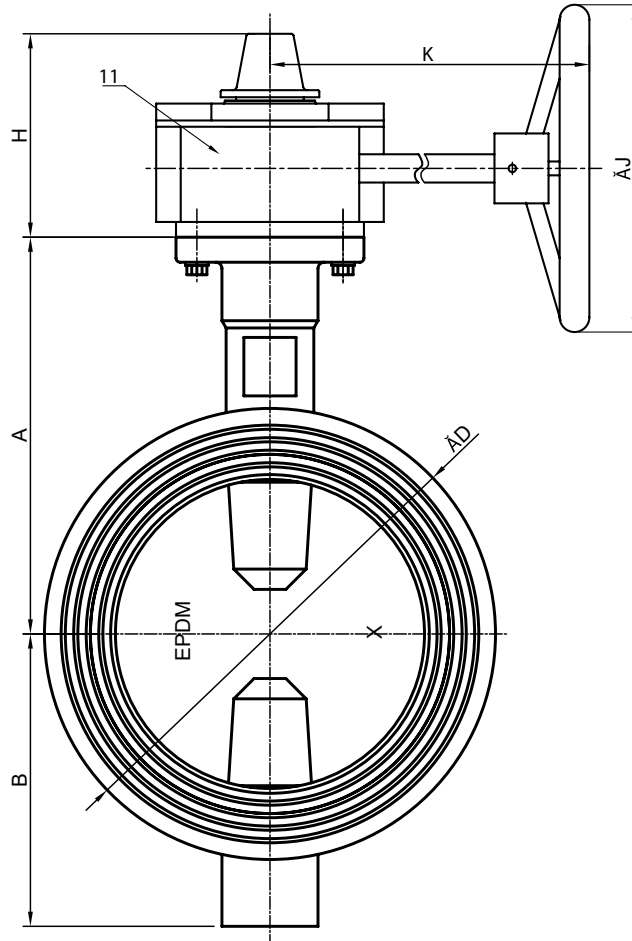
Note

- For proper use and safety precautions please follow the installation and operating instructions.

BUTTERFLY VALVE - SUPERVISORY

FAF 3590

Technical Details & Drawing, Dimensions



Wafer Type Butterfly Valve Supervisory Switch Dimensions (mm)

Inch / DN	A	B	C	D	H	K	J	P	M	N	d	L
2½" - DN65	125	95	32	112	111	218	152	90	70	9	10	44,2
3" - DN80	140	100	32	120	111	218	152	90	70	9	11	45,3
4" - DN100	160	100	32	165	111	218	152	90	70	9	14	52
5" - DN125	170	125	32	182	111	218	152	90	70	9	14	54,4
6" - DN150	190	140	32	216	111	218	200	90	70	9	16	55,8
8" - DN200	230	175	32	260	126	232	300	125	102	12	19	60,5
10" - DN250	260	200	45	320	126	232	300	125	102	12	22	66,5